



Desiccator for moisture calculation of samples

- **Data:** RS-232C connection with optional data output to printer.
- **Display:** Visualisation of programme, process data, drying time and sample moisture progress.
- **Protocol:** Printout of GLP standard reports.



► Functions:

- **Drying:** 4 drying programmes: by time, temperature, automatic and by steps.
- **Speed:** With 5 selectable drying speeds.
- **Memory:** 20 types of drying in memory.



Fast and accurate humidity calculation.

Halogen radiators ensure fast and effective drying.



Thermogravimetric method

Calculates the moisture content of the material by calculating the difference in weight during drying.



Easy to read multifunction display

Includes detailed information on the moisture calculation process.



Connectivity

Connection to PC or printer via RS 232-C output. Printing of the ticket with the weighing data.

Adjustable feet

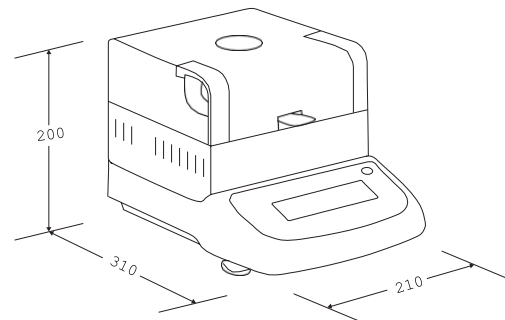
Anti-slip, to adjust the scale in a horizontal position and prevent slipping during daily use.



Model	FM-120	FM-120S
Reference	71167	71168
Capacity	120 g	120 g
Resolution	5 mg	1 mg
Temperature range	60° - 200°C	
Repeatability of humidity calculation	1% (muestra 0,1 - 2,5g) 0,2% (muestra 1,5 - 15g) 0,05% (muestra +15g)	1% (muestra 0,02 - 0,5g) 0,1% (muestra 0,5 - 5g) 0,01% (muestra +5g)
Reading Time	8 seconds	
Power	~230V 50Hz 130VA	
Working temperature	+18/+30°C	
Warm-up time	20 - 30 minutos	
Calibration	External	
Sampling time	10-120 seconds	
Maximum drying time	8 Stunden	
Weighing plate dimensions (mm)	90 Ø	
Weighing chambers dimensions (mm)	108 Ø x20mm	
Product dimensions (mm)	310 x 205 x 200	
Weight (kg)	3,7	5,1
Packaging dimensions (mm)	520 x 380 x 410	
Total weight with packaging (kg)	6,6	7,9

External dimensions (mm)

FM-120
FM-120-S



Ref.	Accessories
70034	Printer with cable PR4
36764	RS-232 to PC cable
36759	RS-232 cable to printer