



## Efficiency in movement

- **Manual pallet truck with build-in scale:** Designed to offer maximum functionality and efficiency in any area of work, this tool not only allows to transport the pallets easily, but also weighs them immediately, eliminating the necessity to move the load to a fixed scale.
- **Weighing and lifting in one step:** TCamel Y streamlines operations by combining lifting loads with a precise weighing system, facilitating the logistics and saving precious time in the warehouse.
- **Rechargeable Li-Ion battery:** Its long-lasting battery allows it to work for hours without interruption, while its easy fast recharge assures that the pallet truck is ready for any task.
- **High contrast LED display:** Equipped with a LED display, thanks to which the operator can visualize the weighing results clearly and precisely, even in low light conditions.
- **Instant weighing memory function (Hold):** Thanks to this function, it is possible to keep the weighing value on display for its further revisiton, without the necessity to stop operations.
- **Accumulation and totalization of weighings:** The system allow to register multiple weighings and accumulate the results, offering a complete vision of the total of the load handled.

**Simplify the workflows in the warehouse**

Designed to move in an agile way, transporting the load to its destination while weighing it simultaneously. Whether its before or after its transport, the weighing information is always available, without the necessity for another dedicated scale.



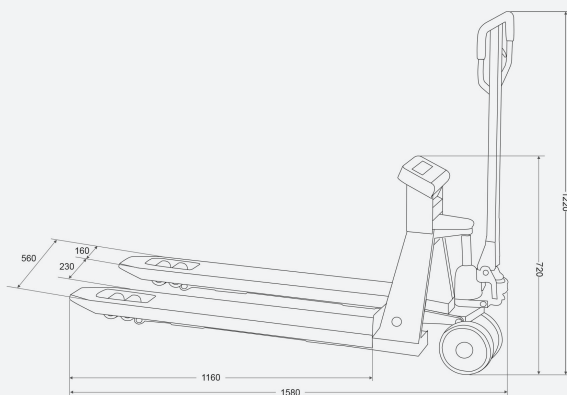
**Productivity anywhere**

Designed for dynamic environments, where speed and precision are essential. Its compact design and ease of use allow it to operate in any corner of the warehouse, providing fast results and optimizing work time. It is a perfect solution for those who look for versatile equipment which speeds up the logistic processes, improving productivity and reducing downtime.

► TECHNICAL DATA

<b>Model</b>	<b>TCamel Y 2T</b>
<b>Reference</b>	10048
<b>Capacity</b>	2.000 kg
<b>Resolution</b>	1 kg
<b>Weighing units</b>	kg
<b>Piece-counting quantities</b>	5, 10, 20, 50, 100
<b>Operating temperature</b>	-0° C / +40° C
<b>Power supply</b>	2x Li-Ion battery 3,7V - 4000mA/H
<b>Battery life</b>	48h of continuous use
<b>Display</b>	LED
<b>Segments</b>	4 digits
<b>Digit height</b>	2,54 mm
<b>Indicator material</b>	ABS
<b>Structure material</b>	Steel
<b>Wheel material</b>	Polyurethane
<b>Fork dimensions</b>	1160 x 560 mm
<b>Fork height</b>	Min: 85 mm / Max: 205 mm
<b>External dimensions</b>	1580 x 560 x 1220 mm
<b>Packaging dimensions</b>	1550 x 580 x 445 mm
<b>Total net weight</b>	87 kg
<b>Total weight incl. packaging</b>	99 kg

► EXTERNAL DIMENSIONS (mm)



► CERTIFICATES

**ISOCAL CERTIFICATES**

- También ofrecemos nuestros Certificados ISOCAL, con datos individualizados de calibración del equipo.

Ref.	Model
8023	ISOCAL certificate from 1.501 kg to 3.000 kg





Travessia Industrial, 11  
08907 Hospitalet de Llobregat  
Spain  
+34 93 300 33 32  
[gram-group.com](http://gram-group.com)