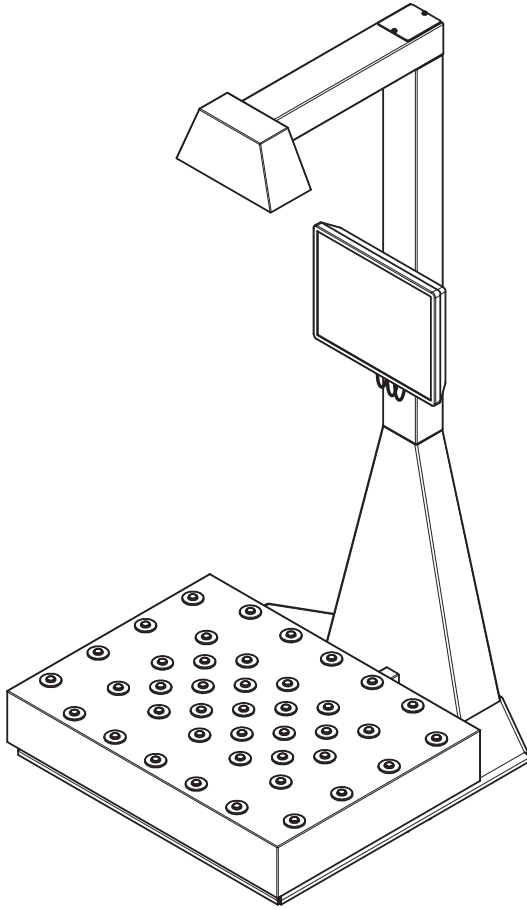
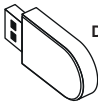
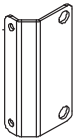


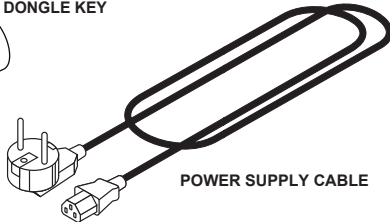
QUBIC One



SCREEN SUPPORT



DONGLE KEY



POWER SUPPLY CABLE



M8x20 (14U.)

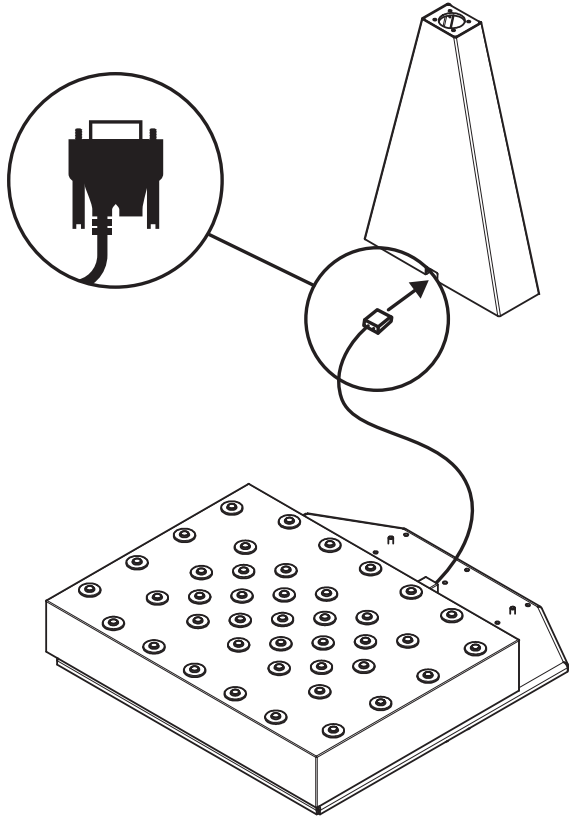


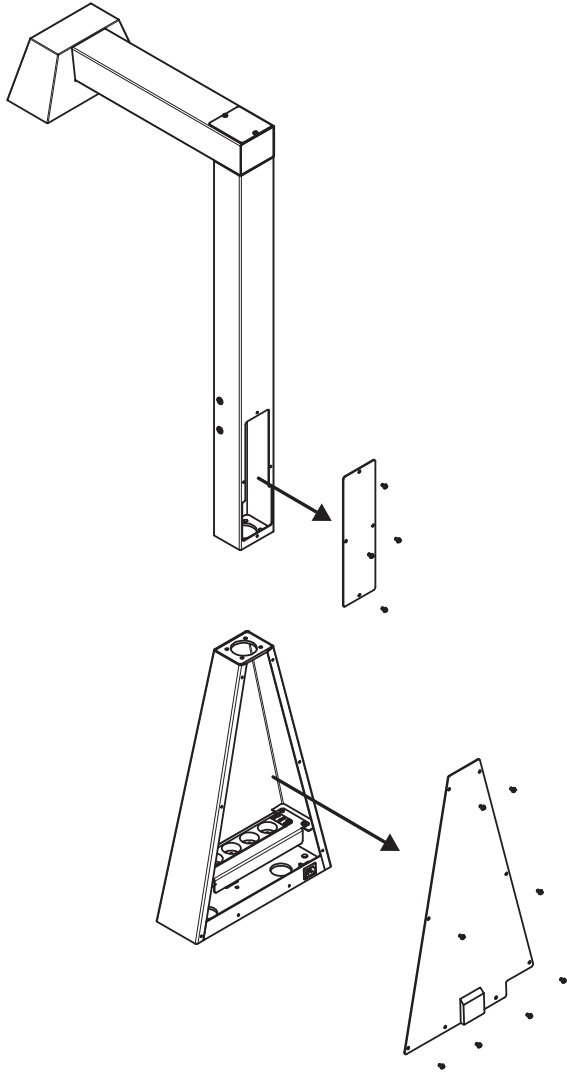
M5x8 (12U.)



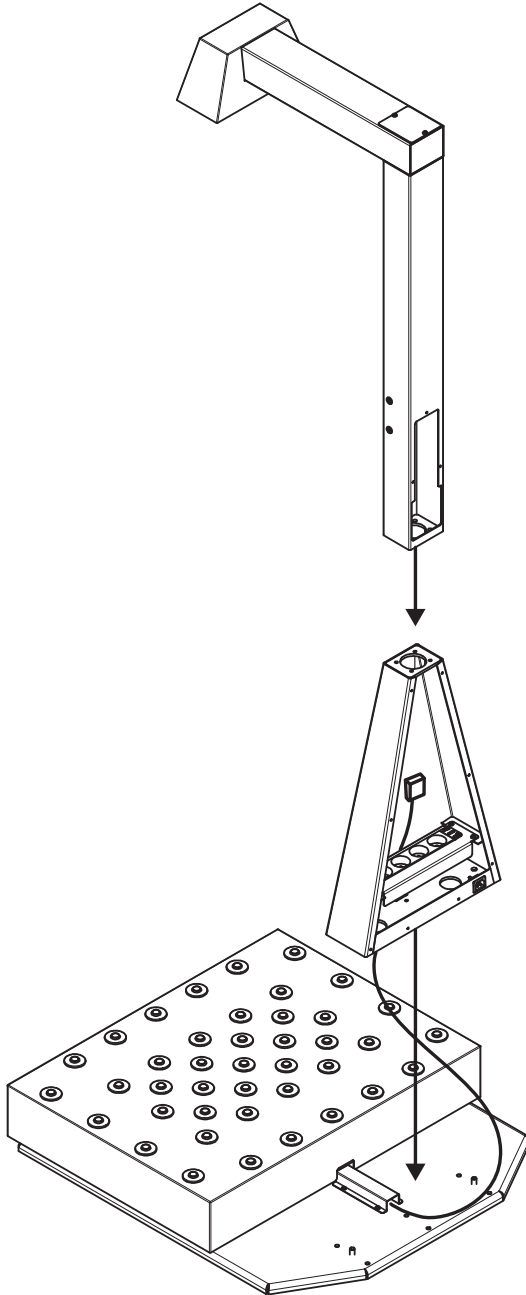
M4x10 (4U.)

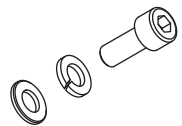
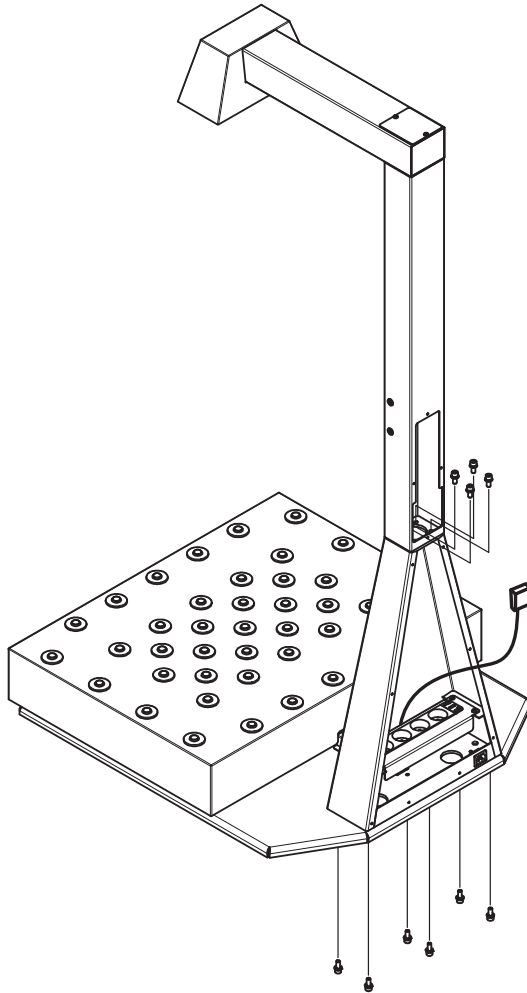
2





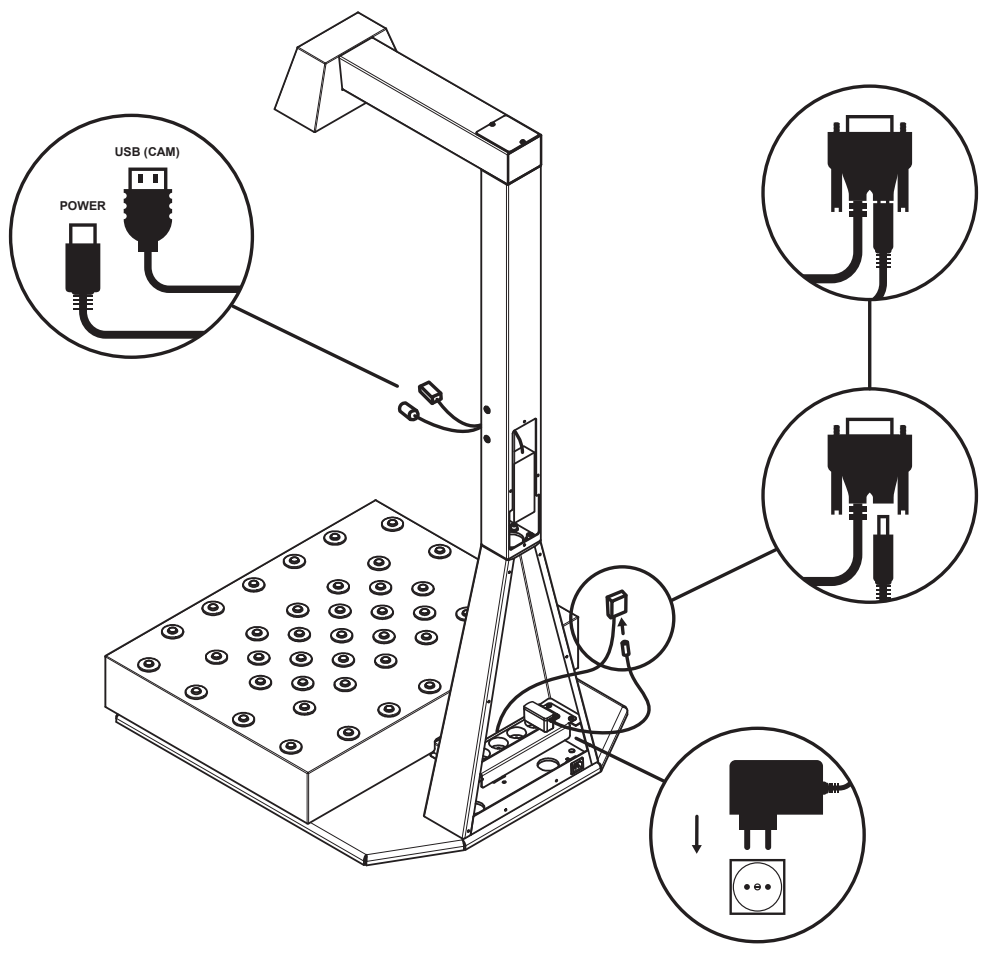
4

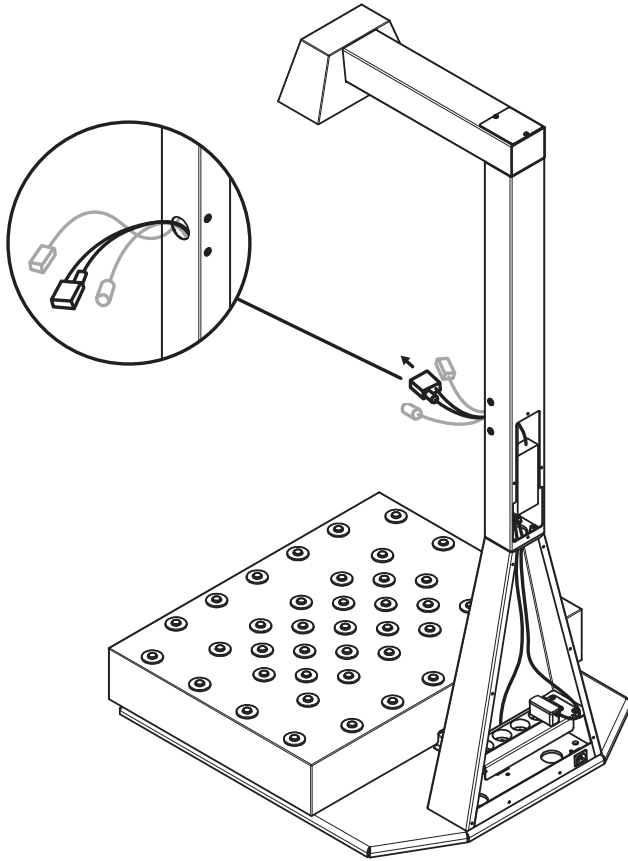




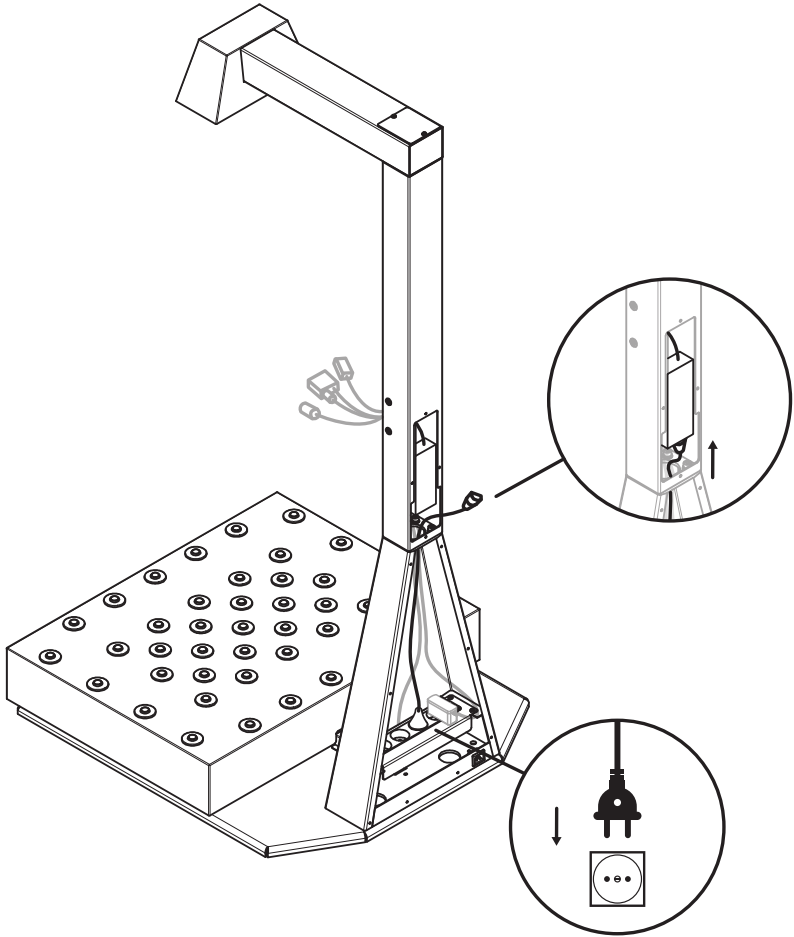
M8x20 (10U.)

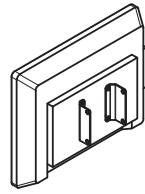
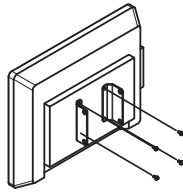
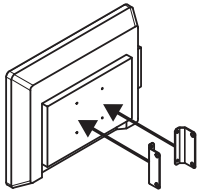
6



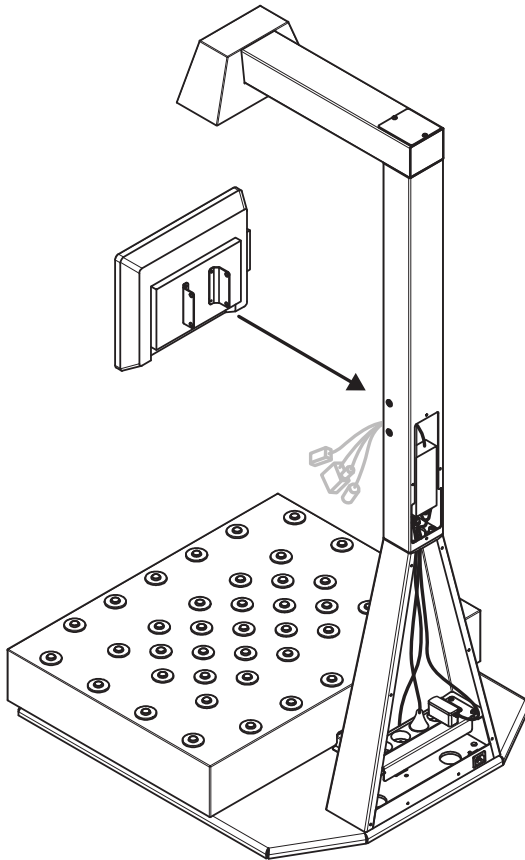


8

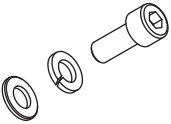
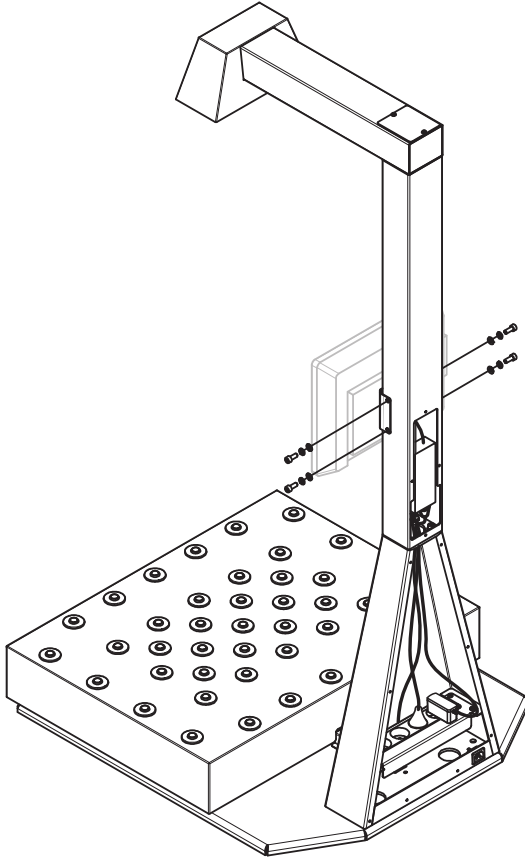




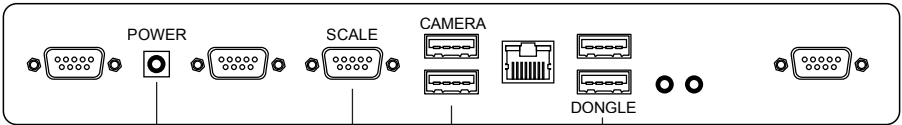
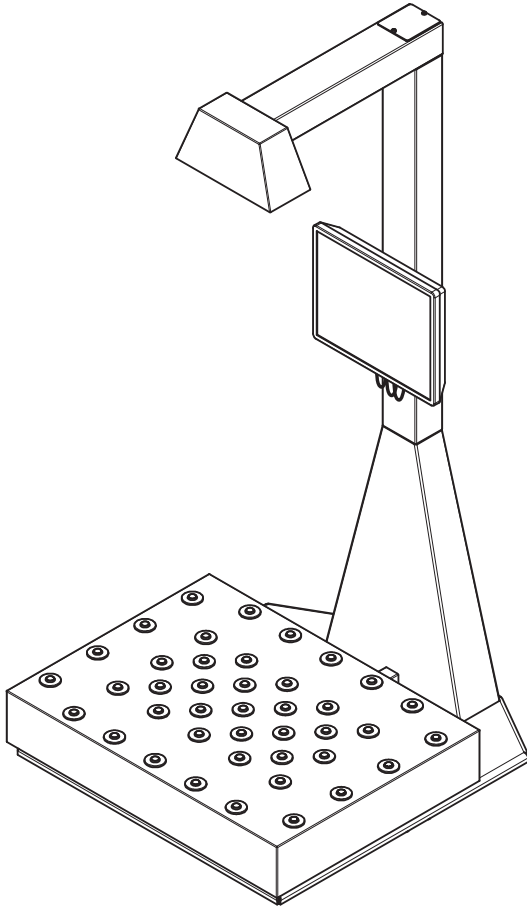
M4x10 (4U.)



10



M8x20 (4U.)



POWER



PLATFORM

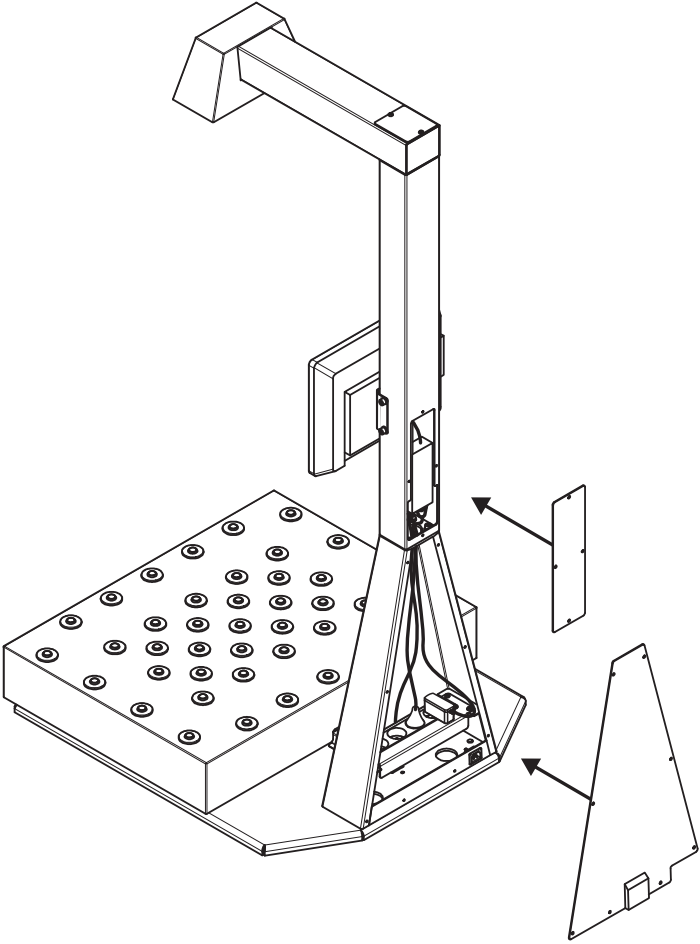


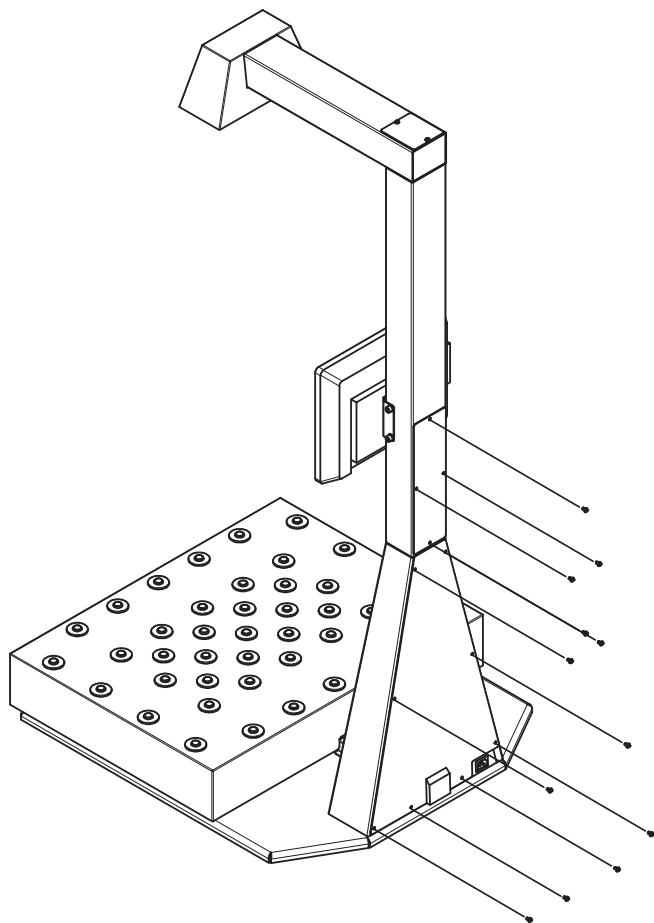
QUBIC CAM
(BLUE USB 3.0)

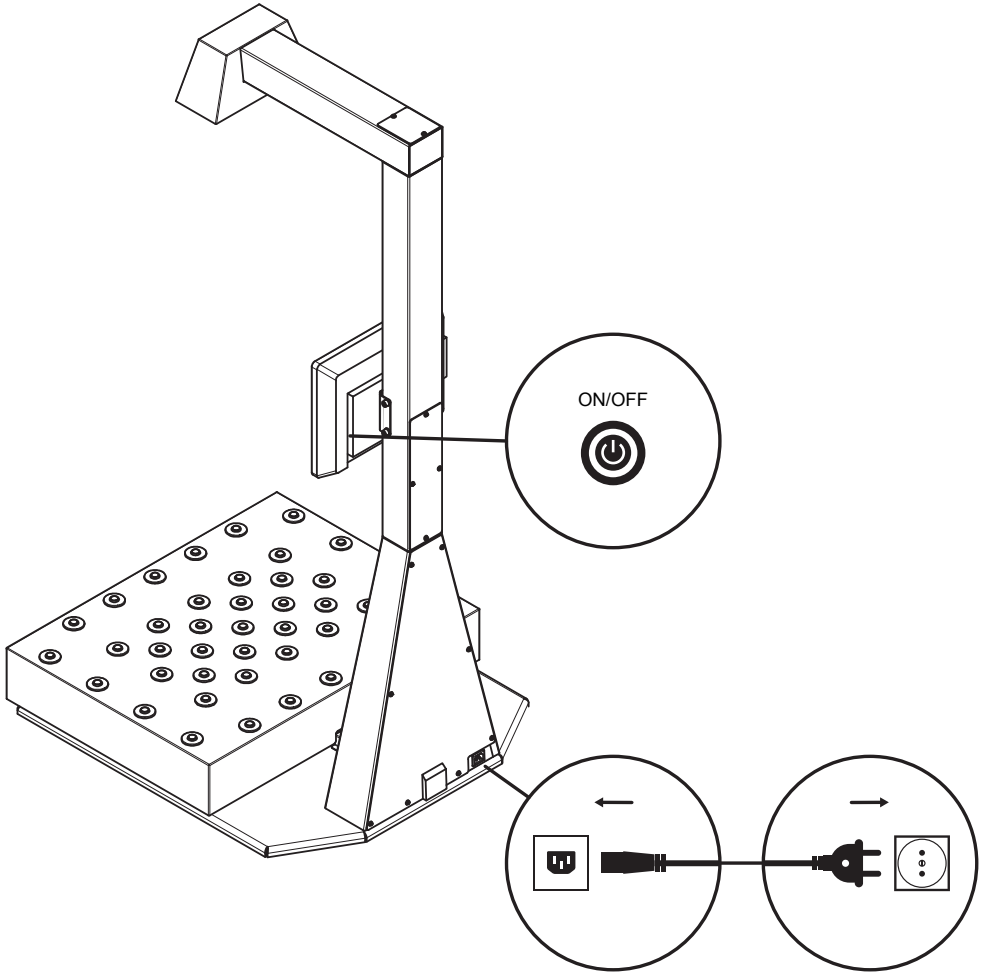


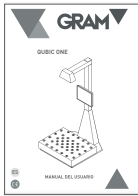
DONGLE KEY











MANUAL DE UTILIZACIÓN

Descárguese el manual completo en el siguiente enlace:

<https://gram-group.com/wp-content/uploads/2021/11/MU-QUBIC-ONE-ESP-001.pdf>



OPERATION MANUAL

Download the full manual from the following link:

<https://gram-group.com/wp-content/uploads/2021/11/MU-QUBIC-ONE-ENG-001.pdf>



MANUEL DE L'UTILISATEUR

Téléchargez le manuel complet à partir du lien suivant :

<https://gram-group.com/wp-content/uploads/2021/11/MU-QUBIC-ONE-FRA-001.pdf>



BENUTZERHANDBUCH

Laden Sie das vollständige Handbuch unter dem folgenden Link herunter:

<https://gram-group.com/wp-content/uploads/2021/11/MU-QUBIC-ONE-DEU-001.pdf>



Travesía Industrial, nº 11,
08907 l'Hospitalet de Llobregat
Barcelona (Spain)

gram-group.com