



## Xtrem Touch Screen multi-platform terminal, legally approved

- Compatible with digital weighing Xtrem® devices.
- Search and connection to Xtrem devices both through a network and locally.
- Internal database of users, products and weighing register.
- Multiple Z8i devices can share the same database in the cloud or on a server.
- Múltiples equipos Z8i pueden compartir la base de datos en la nube o servidor.
- Function of visual classification of products.
- Tare memory in the database.
- Printing labels designed on a PC, autonomously (compatible with Zebra and Godex printers).
- Printing tickets with personalized data.
- Register, edition and exportation of registered data.
- Big visual display, 10 inch touch screen.
- Advanced options to configure and calibrate the Xtrem devices.
- Digital connection through Ethernet and RS232C.
- Compatible with printers, barcode scanners and memory sticks (equipped with a USB port).
- A single version for desktop and panel mount, a wall bracket included.
- Connections at IP67 tightness.



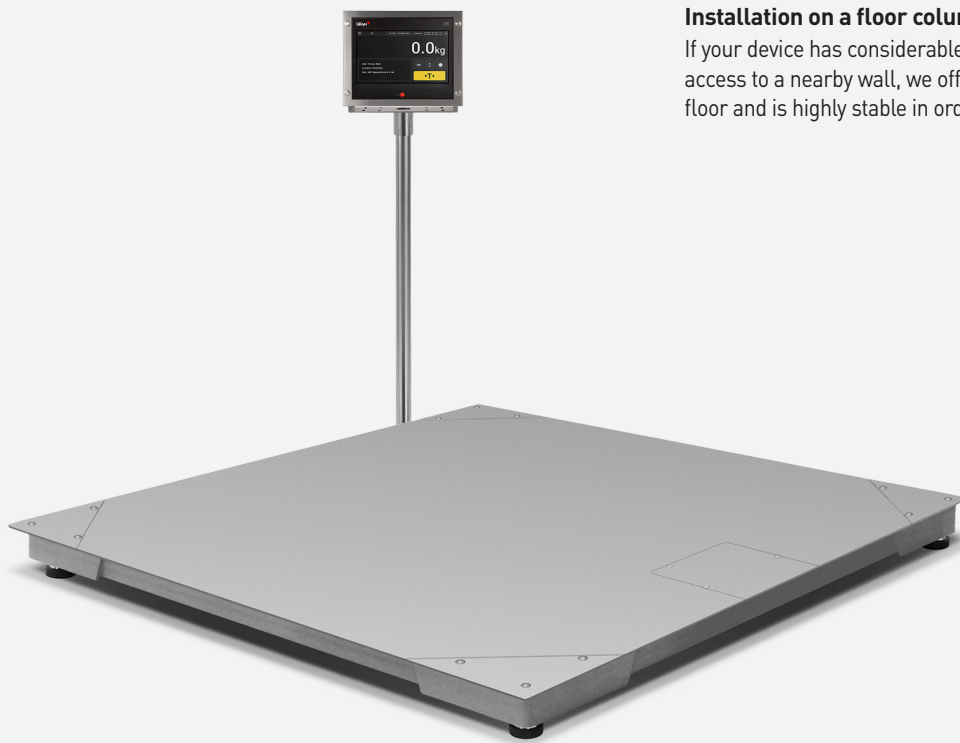
**Adapted to columns**

Our Z8i indicator is compatible with floor and desktop devices with a column. It is provided with an adapter for both rectangular and round columns, at a regulable assembly angle.



**Desktop use**

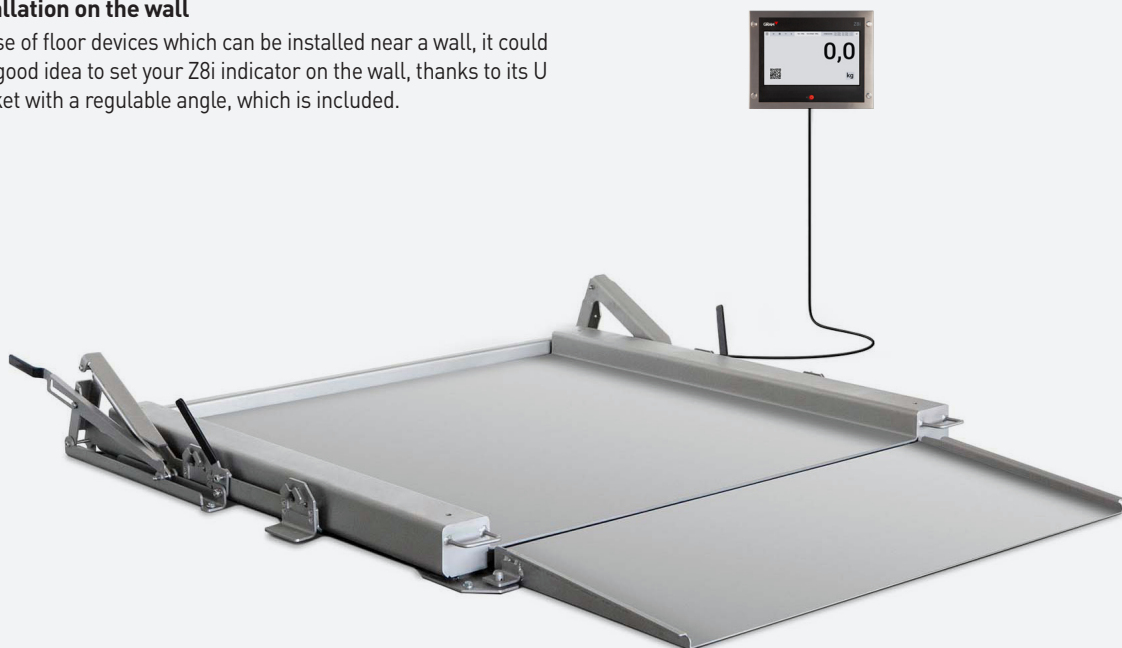
It can be adapted to desktop weighing platforms, thanks to the connections, which liberate its back part and allow the Z8i indicator to be installed in the front of your device.

**Installation on a floor column**

If your device has considerable dimensions and you do not have access to a nearby wall, we offer a column which is held on the floor and is highly stable in order to install the Z8i indicator.

**Installation on the wall**

In case of floor devices which can be installed near a wall, it could be a good idea to set your Z8i indicator on the wall, thanks to its U bracket with a regulable angle, which is included.



▶ MAIN FUNCTIONS

Z8i touchscreen terminal **allows you to work on multiple screen configurations**, adapting itself quickly to the required application.

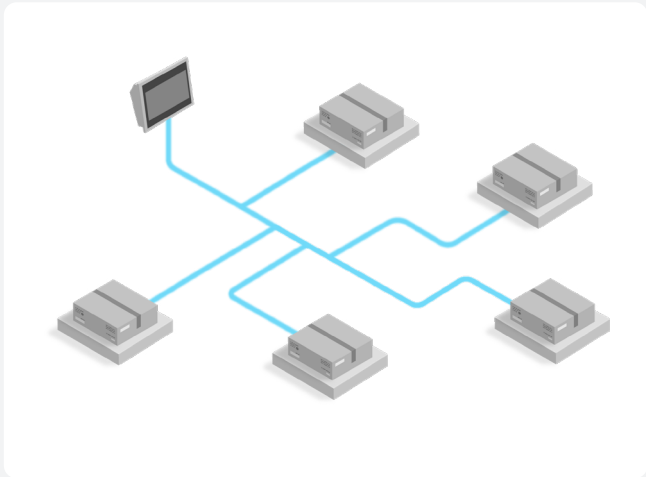
Its **Zlink digital connectivity** allows it to connect to all kinds of peripheral devices to interact with and share databases and registers.

Its digital device concept **allows it to connect to multiple Xtrem weighing devices without the need to calibrate** the platform.

**IP67 tight structure** makes it ideal to use in aggressive working environments.

**One indicator, many devices**

Z8i will eliminate the need to have one indicator per weighing device, you can use any device available in the network or Ethernet, by simply choosing one from the menu.



Id	Date	User reference	User name	Product reference	Product	Weighting unit	Count	Net	Tare	Tare mode	Serial number
1001	22-04-2024	admin	admin			%	45	40	0		450002
1002	21-04-2024	admin	admin			g	100	10	0		450002
1003	23-04-2024	admin	admin			%	200	200	0		200002
1004	22-04-2024	admin	admin	1	Cigarras	kg	100	100	0	0	900001
1005	23-01-2021	admin	admin	1	Pasta de base	kg	500	500	0	0	200001
1006	22-04-2024	admin	admin	1	Explosivos	kg	100	100	0	0	100001
1007	21-04-2024	admin	admin	2	Tarjetas	kg	500	500	0	0	500001
1008	22-04-2024	admin	admin	1	Cigarras	kg	100	100	0	0	100001
1009	22-04-2024	admin	admin			kg	500	500	0	0	500001
1010	22-04-2024	admin	admin	1	Aluminio	kg	500	500	0	0	500001
1011	22-04-2024	admin	admin	1	Aluminio	kg	100	100	0	0	100001

**Internal SQL database**

The user database allows you to have different permission scopes so that the most important device functions are protected from unauthorized access.

The product database allows you to store the information on each item, with tare weights and classification limits. SQL type allows it to be exported and edited on a different device.

The weighting operations registers are also stored in a database, accessible to be consulted anytime.

**Connection with an external SQL, MySQL database**

Our Z8i terminal can connect to an external SQL database, with user and product data, and it can also store the registers in the same database, making them accessible and editable through any device and from any location.

You can edit all this data either in the terminal itself or through any type of customer software, Excel sheet or database management system like Access or similar.





Multiple Z8i devices can share the same database in the cloud or on a server.

As it is able to connect to an external database, multiple Z8i devices can work with the same data stored in the cloud or in an external server.

**Classification of products by weight**

This function allows you to see whenever the product is outside the permitted limits. Its clear display allows you to see the change even from a great distance.

Classification data for each product are stored in the internal SQL database and you can freely edit and export the registers.



**Tare memory**

The tare values of recipients, boxes and packaging can be memorised in the database, properly labelled with a name or description of the rare, in order to have an easy access to them during the weighing process.

**Personalized label printing**

Our Z8i device is able to print complex labels, with multiple data and graphics which can be designed on a PC and imported on the terminal itself to be printed later on autonomously on a label printer like Zebra or Godex.





**Personalised ticket printing**

You can print a ticket with registered data of each weighing operation and personalise the fixed areas as necessary.

**Register, edition and exportation of data**

The weighing data is stored in the device memory (internal database) and can be edited and exported easily. With an external database, this data can be edited and treated with other software.



**Big visual display**

A 10 inch touchscreen which allows clear and easy readings, even from a distance. Advanced interactive software with help prompts in every section. The functions are always available directly in all the applications.

**Advanced functions for the Xtrem devices configuration and calibration**

It can be connected to any Xtrem device in order to configure and calibrate it. It can be used as a master device for Xtrem devices calibration and adjustment.





### Conexión digital por Ethernet y RS232C

The Xtrem devices are always connected digitally, through Ethernet or RS232C connection, so that you can access any device connected to the network.

### Compatible with printers, barcode scanners and memory sticks

It is compatible with our ticket and label printer Q2 and with the label printers Zebra and Godex. You can use a barcode scanner connected by USB in order to introduce data quickly or to introduce the product barcode into the database. You can store registers and import them from a flash memory connected through the USB.



### Desktop, panel mounting and the wall bracket included

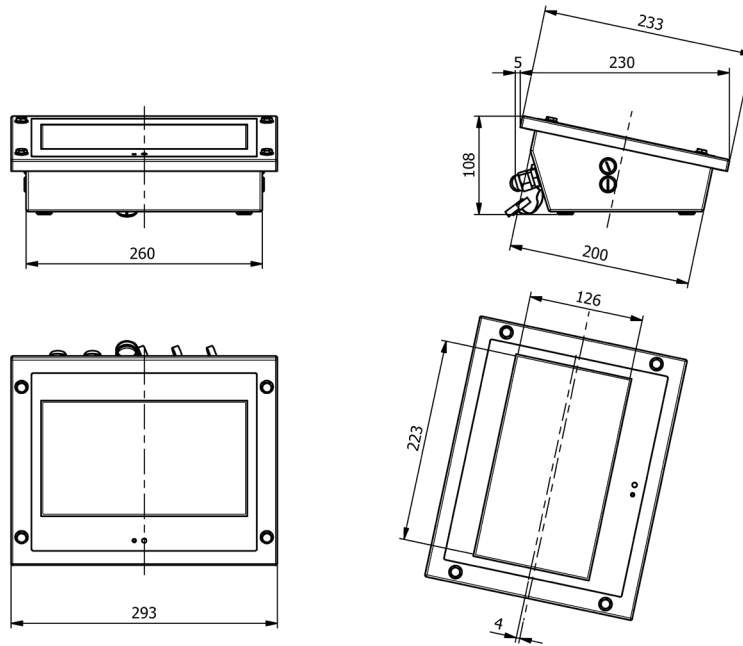
Z8i device can be installed as a desktop device, on an optional column, on the wall using its wall bracket or even on a panel.

### IP67 tight connections

Our Z8i indicator incorporates all the connections in its back panel and they are protected at IP67 tightness, which assures connection reliability and data protection.



▶ EXTERNAL DIMENSIONS [mm]



▶ TECHNICAL DATA

VERIFIED MODELS

Models	Z8i
Reference	6210
Display / Resolution / Colour	TFT 10,1" / 1024 x 600 pixel / 16,7 M
Contrast / Luminance (cd/m <sup>2</sup> )	800 / 400
Touchscreen	Capacitive protected, 10g force, 6H hardness
Weighing units	g, kg
Class	OIML <sup>®</sup>
Protection index	IP67
Microprocessor	Rockchip PX30K (64 bit quad core ARM Cortex A35 @ 1.3 Ghz)
System memory	LPDDR3 1 Gb eMMC 8 Gb
Serial connectivity	1 RS-232C port reserved for Xtrem device, 1 RS232C port for accessories
LAN connectivity	1 Ethernet port 10 / 100 Mbps
Conectividad USB	1 USB host port
Power	Input 100-240V AC / 50/ 6'0 Hz / 1,2 A, output 12V DC / 3,5 A
Operating temperature	-10°C / +40°C
Mounting	Desktop, wall and column mount <sup>(1)</sup>
Dimensiones (mm)	293 x 235 x 108
Weight (kg)	2,7
Packaging dimensions (mm)	440 x 380 x 240 mm
Total transport weight (kg)	5kg

(1) Optional.



► INDICATOR ACCESORIES

**Q2 PRINTER**

- Easy paper feed.
- Printing speed: 76 mm/s.
- Auto-detection of the label start.
- Water tight front output.
- Maximum 90 mm diameter
- LED state indicator
- screw-free interchangeable head
- included a Z8i cable

Ref.	Model
70814A	Q2 label printer with Z8i cable <sup>(1)</sup>
70814B	Q2 ticket printer with Z8i cable <sup>(1)</sup>

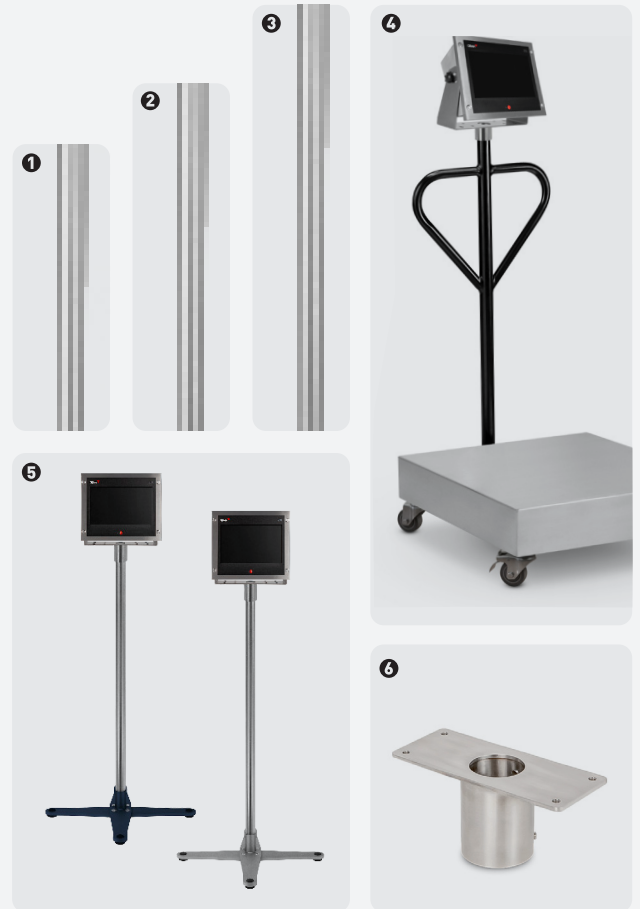
(1) Mutually exclusive, please choose one option only.



**INDICATOR COLUMNS & BRACKETS**

- ❶ **RPS:** Stainless steel columns with painted steel base and indicator support, 300 mm high.
- ❷ **RPM:** Stainless steel columns with painted steel base and indicator support, 500 mm high.
- ❸ **RPL:** : Stainless steel columns with painted steel base and indicator bracket, 700 mm high.
- ❹ **Rabbit RP:** Set of rudder and wheels to move the scale comfortably. Compatible with sizes F2, F3 and F4.
- ❺ **CS-1:** Stable base for indicator mounting with 900 mm high stainless steel column and painted steel base. Option S with stainless steel base.

Ref.	Model
70306A	RPS stainless steel column for K3X (F0, F1, F2, F3, F4)
70306B	RPS stainless steel column for K3iX, K3iX P (F0, F1, F2, F3, F4)
70307A	RPM stainless steel column for K3X, (F1, F2, F3, F4)
70307B	RPM stainless steel column for K3iX, K3iX P (F1, F2, F3, F4)
70308A	RPL stainless steel column for K3X (F2, F3, F4)
70308B	RPL stainless steel column for K3iX, K3iX P (F2, F3, F4)
3800A	Rabbit RP Column painted steel with 4 wheels for K3X (F2, F3, F4)
3800B	Rabbit RP Column painted steel with 4 wheels for K3iX, K3iX P (F2, F3, F4)
3804X	CS-1 painted steel floor stand with stainless column for K3X
3804B	CS-1 painted steel floor stand with stainless column for K3iX, K3iX P
3805A	CS-1 S stainless steel floor stand with stainless column for K3X
3805X	CS-1 S stainless steel floor stand with stainless column for K3iX, K3iX P



► CERTIFICATES

**ISOCAL CERTIFICATES**

- Our Xtrem equipment is delivered with CE-M Verification as standard.
- We also offer our ISOCAL Certificates, with individualised calibration data for the Xtrem equipment.
- Help maintain your ISO9001 Quality System.

Ref.	Model
8025	Certificado ISOCAL de 301 g a 600 kg
8029	Certificado ISOCAL de 601 kg a 1500 kg
8030	Certificado ISOCAL de 1501 kg a 3000 kg





Travessia Industrial, 11  
08907 Hospitalet de Llobregat  
Spain  
+34 93 300 33 32  
[gram-group.com](http://gram-group.com)

#### International Commercial Attention

**United Kingdom:** [uk@gram.es](mailto:uk@gram.es)  
**North & East Europe:** [europa@gram.es](mailto:europa@gram.es)  
**North & South America:** [america@gram.es](mailto:america@gram.es)  
**Oceania:** [oceania@gram.es](mailto:oceania@gram.es)  
**Asia:** [asia@gram.es](mailto:asia@gram.es)  
**Africa:** [africa@gram.es](mailto:africa@gram.es)  
**Germany, Austria:** [sales@gram-group.de](mailto:sales@gram-group.de)  
**Italy:** [italy@gram.es](mailto:italy@gram.es)  
**France, Belgium:** [france@gram.es](mailto:france@gram.es)  
**Portugal:** [portugal@gram.es](mailto:portugal@gram.es)  
**Spain:** [spain@gram.es](mailto:spain@gram.es)

#### International Weighing Projects

[contact.export@gram.es](mailto:contact.export@gram.es)