



Quick weighing anywhere with printed results ⁽¹⁾

- Scale and pallet truck, two-in-one.
- Simple to use: lift and weigh, without moving the load to a different location.
- Rechargeable lithium battery; gives 40 hours of continuous use.

Printer for data recording ⁽¹⁾.

- RX3 precision load sensors.
- Easy-to-read backlit LCD display.
- Taring of pallet or container.

⁽¹⁾ Model TCamel VP.



Functions:

- Zero adjustment.
- Taring of containers.
- Accumulation of weights.
- Piece counting function.



Results printed

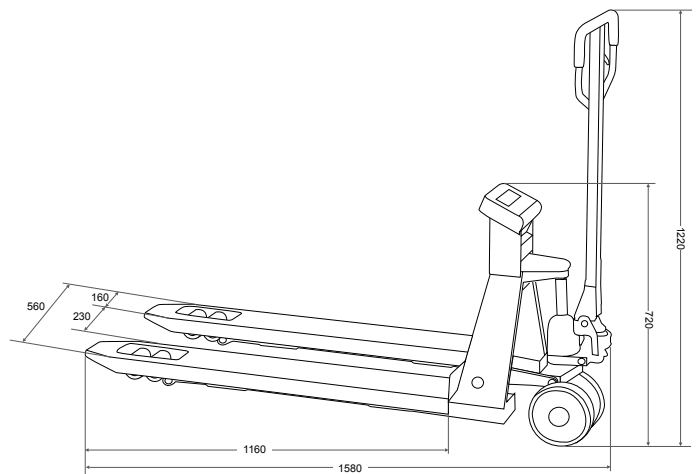
The TCamel VP model have a built-in printer to provide a copy of the weighing results.



Model	TCamel V 2T	TCamel VP 2T
Reference	72080	72081
Capacity	2000kg	
Resolution	1000g	
Weighing units	kg	
Piece counting options	5, 10, 20, 50, 100	
Indicator material	ABS	
Display	Backlit LCD	
Segments	4-digit	
Digit height (mm)	2,54	
CE-M verification	Not verified	
Integrated printing	No	Sí
Sealing protection	IP-54	
Power	Battery 6 V / 4 Amp/h	
Battery life	80 hours continuous use	
Working temperature	-0°C /+40°C	
Structure material	Steel	
Wheel material	Polyurethane	
Fork dimensions (mm)	1160 x 560	
Fork height (mm)	Min: 95 / Max: 205	
External dimensions (mm)	1580 x 560 x 1220	
Total net weight (kg)	87	
Packaging dimensions (mm)	1550 x 580 x 445	
Total weight with packaging (kg)	99	

External dimensions (mm)

TCamel V



Ref.	Accessories
8030	ISOCAL certificate from 1501 kg to 3000 kg
61136	Individual packaging