



Compact weighing hook

- Portable, with display integrated into its steel structure.
- With full-functionality remote control.
- High-luminosity LED display.
- Made from treated steel.
- Rechargeable internal battery.
- Includes top ring and bottom hook.



Functions:

- Setting to zero.
- Tare function.
- Accumulation and totalization of weighings.
- Hold function.
- Auto power-off.



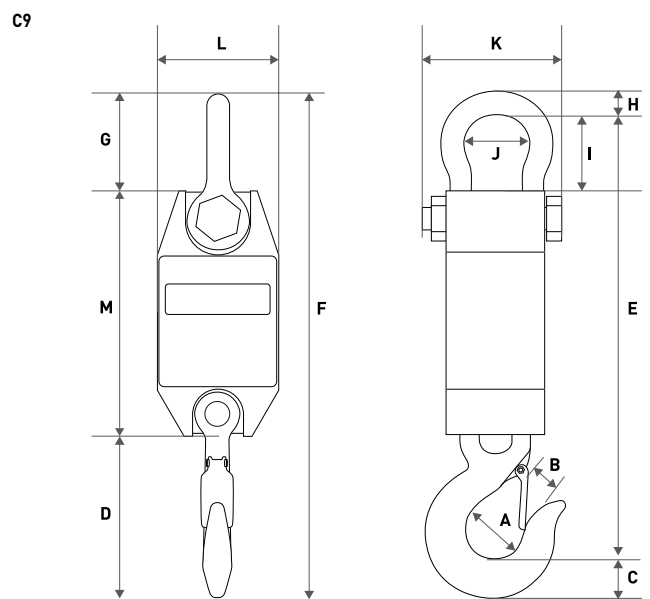
Remote control

The integrated remote control commands all the functions of the remote unit, including accumulation and totalization.



Model	C9-3T	C9-5T
Reference	71173	71174
Capacity	3.000 kg	5.000 kg
Resolution	1 kg	2 kg
Weighing units	kg, pound	
Tare range	100%	
Material of the structure	Cast iron	
Display	LED	
Digit height (mm)	30	
Power	Rechargeable battery	
Battery duration	30 hours	
Working temperature	+0°C / +40°C	
Hook opening (mm)	30	35
External dimensions (mm)	115 x 490 x 140	115 x 550 x 160
Total net weight (kg)	12,7	15,5
Packaging dimensions (mm)	600 x 285 x 330	600 x 285 x 330
Total weight with packaging (kg)	13	16,8

Dimensions (mm)



Ref.	Options
8030	ISOCAL certificate from 1501 kg to 3000 kg
8033	ISOCAL certificate from 3001 kg to 10000 kg

Model	A	B	C	D	E	F	G	H	I	J	K	L	M
C9-3T (mm)	55	30	50	200	415	490	105	25	80	67	140	115	230
C9-5T (mm)	60	35	50	230	472	550	118	28	90	70	160	115	230