



Weighing with distance visualization remote control

- High capacity cranescale : to 50 Tons
- Weight reading until 100 meters on the remote control
- LED Display
 - Made of Epoxy painted stainless steel
 - Intern rechargeable battery
 - Indicator with integrated printer (Optional)



Functions:

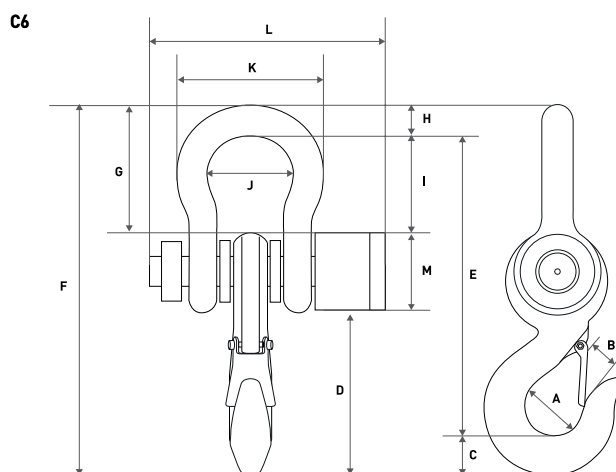
- Zero adjustment
- Tare function
- Weights accumulation and totalisation
- Hold function
- Auto-disconnection



Distance printing of the weighs

With the optional C6P Printer you can print the weights results directly on the remote control, or control all cranescale functions directly on the C6P.

Dimensions (mm)



Ref.	Options
8029	ISOICAL certificate from 601 kg to 1500 kg
8030	ISOICAL certificate from 1501 kg to 3000 kg
8033	ISOICAL certificate from 3001 kg to 10000 kg

Model	A	B	C	D	E	F	G	H	I	J	K	L	M
C6-1T (mm)	48	32	42	135	250	320	125	29	95	70	130	200	75
C6-3T (mm)	48	32	42	135	250	320	125	29	95	70	130	200	75
C6-5T (mm)	58	40	50	160	490	395	150	35	11	90	160	220	75
C6-10T (mm)	66	45	60	220	360	460	145	39	110	98	185	235	75
C6-15T (mm)	80	58	69	240	420	530	135	45	135	125	220	260	75
C6-20T (mm)	100	65	80	280	490	620	200	51	140	140	250	300	72
C6-30T (mm)	130	80	108	330	600	760	270	65	200	175	300	340	75

Ref.	Accessories
60953	Remote indicator with C6P Printer

Model	C6-1T	C6-3T	C6-5T	C6-10T	C5-15T	C5-20T	C5-30T
Reference	61106	60893	60894	60895	60896	60897	60898
Capacity	1.000 kg	3.000 kg	5.000 kg	10.000 kg	15.000 kg	20.000 kg	30.000 kg
Readability	500 g	1.000 g	2.000 g	5.000 g	5.000 g	10.000 g	20.000 g
Weight units	kg, pound						
Tare range	100%						
Material structure	Cast iron						
Display	LED						
Digits size (mm)	30						
Power supply	3DC - 6V, rechargeable battery						
Battery duration	30 hours						
Working temperature	+0°C / +40°C						
Hook angle (mm)	32	32	40	45	58	65	80
External dimension (mm)	320 x 200 x 130	320 x 200 x 130	395 x 220 x 160	460 x 235 x 185	585 x 260 x 220	621 x 300 x 250	760 x 340 x 300
Total net weight (kg)	5,2	5,2	9,2	13,6	22,2	36,4	63
Packaging dimensions (mm)	460 x 280 x 210	460 x 280 x 210	460 x 280 x 210	585 x 285 x 330	585 x 285 x 330	730 x 380 x 420	590 x 610 x 970
Total weight with packaging (kg)	6,5	6,5	10,4	15,3	23,9	39	91
MSRP (€)	360,00	380,00	440,00	550,00	850,00	1.590,00	2.750,00