



## Compact precision laboratory and quality balance

- ABS structure and high resistance steel with IP44 protection.
- With high-resolution HR sensor and overload protection.
- Fast piece counting function by sampling, zero adjustment by pressing and vessel taring.
- Stainless steel square plate.
- Height adjustable feet to adapt it to the surface of use.
- RS232C data output connection.



### Functions:

It performs piece counting from a quick preset sampling, with high reliability and speeding up the process.

Zero setting function. By pressing a key, the instrument can be reset to zero.

Tare function. The weight of the container can be deducted by pressing the tare key.



### High precision

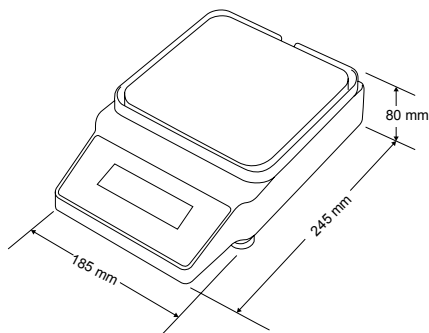
Suitable for all types of laboratories where high precision weighing, product quality control or on-line control is required. Supplied properly calibrated and adjusted by our laboratory located in Barcelona (audited annually by NMI European notified body).

### Fast and resistant

Thanks to their steel base, these models are very stable and quick to read in less than 2 seconds. Their external ABS casing gives them the necessary external resistance for industrial use.

#### External dimensions (mm)

EK-800  
EK-2000  
EK-5000  
EK-6000  
EK-10K



### Connectivity

They can be equipped with an optional printer (PR4), for printing the results. With its RS232C data output it can be connected to PC applications. It is powered by 220V mains directly, to reduce cables and adapters in the connections.

Modelo	EK-800	EK-2000	EK-5000	EK-6000	EK-10K
Reference	72060	72061	72062	72063	72064
Capacity	800 g	2000 g	5000 g	6000 g	10.000 g
Resolution	0,01 g	0,01 g	0,01 g	0,1 g	0,1 g
Linearity	± 0,01 g	± 0,015 g	± 0,02 g	± 0,1 g	± 0,15 g
Reproducibility	± 0,01 g	± 0,015 g	± 0,015 g	± 0,1 g	± 0,15 g
Eccentricity	± 0,015 g	± 0,02 g	± 0,025 g	± 0,2 g	± 0,25 g
Reading time	less than 1.5 seconds				
Power	220V / 50-60 Hz				
Working temperature	+0°C / +40°C				
Heating time	10 minuts				
Calibration	external				
Weighing units	grams, carat, pieces				
Air humidity	max 80 % without condensation				
Dim. of weighing plate (mm)	170 x 170				
Product dim. (mm)	185 x 245 x 80				
Product net weight (kg)	1,9				
Packaging dim. (mm)	325 x 235 x 120				
Total weight with packaging (kg)	2,3				