



## Forklift scale with Xtrem WiFi technology

- Last generation of totally autonomous weighing, with WiFi technology, without cables.
- Place and weigh, without installation.
  - Standard fork leg, mounts like a normal fork on the positioners.
  - Internal parts protected, all elements are inside the fork.
  - Removable batteries protected inside the structure.
  - Height only 56 mm.
  - Programmable pallet overload warning
  - Memory for up to 20 tares.



### In-cab WiFi indicator

WiFi connection with our indicator located in the cabin. The display offers you advanced functions, such as tare memory, for storing the type of pallet used.



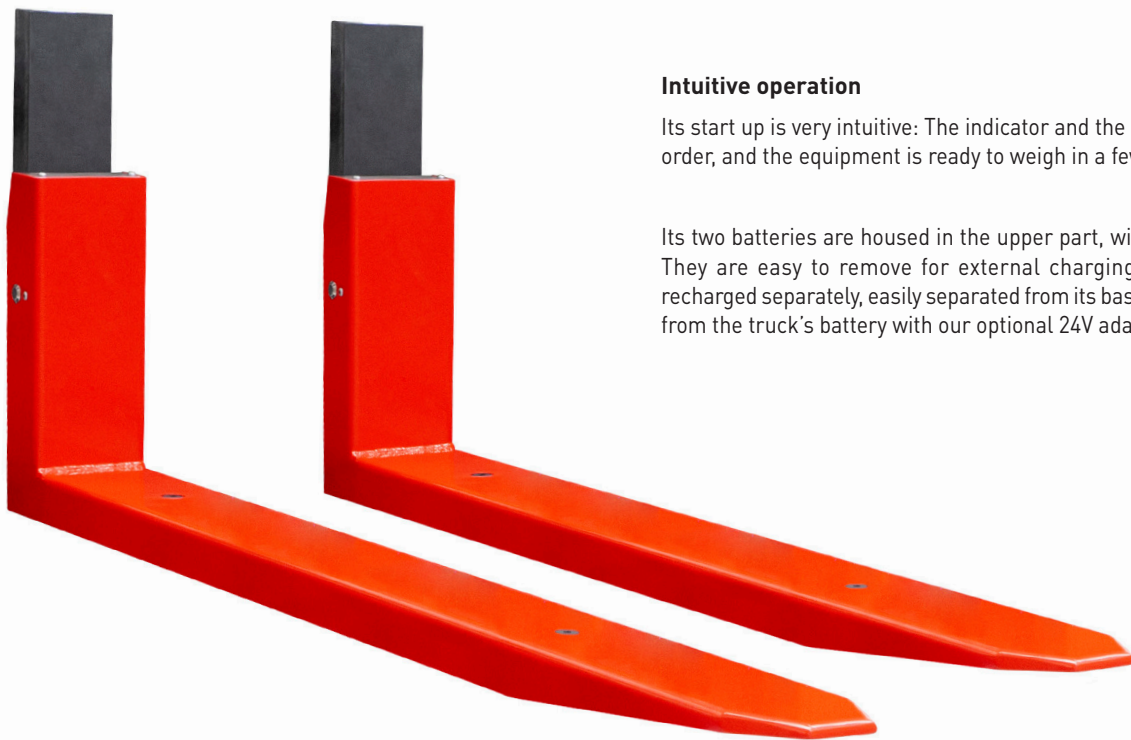
### Low fork height

With a fork height of only 56 mm and no external components, the Bull Xtrem is virtually like a standard fork lift truck, allowing you to work even with special or poorly maintained pallets.



### Compact and resistant

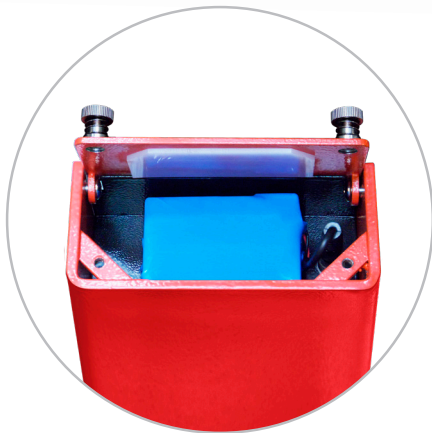
Bull Xtrem is slim and thin, very suitable for working forgetting that you have a weighing fork, with the same capacity and reliability. All the weighing components are inside the structure, being totally protected from knocks and scratches.



**Intuitive operation**

Its start up is very intuitive: The indicator and the two forks start up in any order, and the equipment is ready to weigh in a few seconds.

Its two batteries are housed in the upper part, with very resistant covers. They are easy to remove for external charging. The indicator can be recharged separately, easily separated from its base (it can also be powered from the truck's battery with our optional 24V adapter).



**Removable batteries**

Our new Bull Xtrem is powered by compact rechargeable batteries, which are installed in a few minutes and allow 72 hours of continuous work, 9 days of normal work (\*)

*(\*) Blade battery life: 72 hours*



**Indicator support in the cabin**

The indicator bracket is adjustable at all angles for easy viewing in the cabin.



### Pallet weight memory

With its memory of up to 20 tares, it stores the weight of different types of pallets, to be deducted from the net weight shown on the display.

### Overloaded pallet warning system

It has an overload warning that can be programmed to warn by showing the yellow or red display if one of the pallets exceeds the maximum weight selected. In this way, with a simple visual control, it is possible to check if the pallets are under the maximum permitted weight.



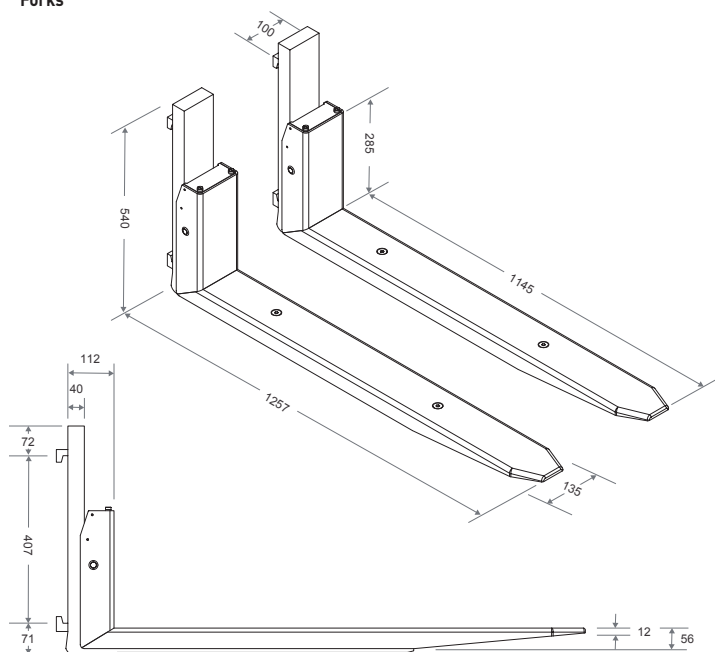
<b>Model</b>	<b>BULL 2.5T</b>
<b>Reference</b>	71964
<b>Capacity</b>	2500kg
<b>Resolution</b>	1000g
<b>Weighing units</b>	kg
<b>Indicator material</b>	ABS
<b>Display</b>	6-digit backlit LCD
<b>Height of digits (mm)</b>	25
<b>Internal connectivity</b>	Wifi
<b>Indicator sealing protection</b>	IP-65
<b>Blade sealing protection</b>	IP-54
<b>Power supply</b>	230 V / 50 Hz (Euro) 11 V AC
<b>Battery life indicator (**)</b>	45 hours
<b>Blade battery life (***)</b>	72 hours
<b>Working temperature</b>	+5°C / +35°C
<b>Blade material</b>	Superior in epoxy painted steel. Base in steel with protective coating
<b>Load sensor</b>	4 pcs. load cells type H8C Rebel
<b>Type of fork attachment</b>	FEM2
<b>Fork dimensions (mm)</b>	1257 x 540 x 135
<b>Blade height (mm)</b>	56
<b>Total net weight (kg)</b>	120
<b>Indicator dimensions (mm)</b>	220 x 182 x 86
<b>Packaging dimensions (mm)</b>	1400 x 800 x 200
<b>Total weight with packaging (kg)</b>	140
<b>PVP (€)</b>	2.800,00

(\*\*) Specified to the load center.

(\*\*\*) Connected for 8 hours a day with 15% of punctual use.

### External dimensions (mm)

#### Forks



### External dimensions (mm)

#### Indicator

