

GRAM XFOC+



Latest generation trade scale

- Autonomy of more than 20 months with standard batteries ⁽¹⁾, ULP technology
- Keyboard with 70 PLU memories and customizable template ⁽²⁾.
- Accumulates and totals weights (with printer connection).



(1) XFOC+ 30P PLU Model.
(2) *PLU Models.

FIX/
P
Status





PC Connectivity

The RS models have a built-in RS232C connection or an optional adapter to USB, which allows you to connect to your PC or POS and in this case the scale is powered by the same USB adapter.

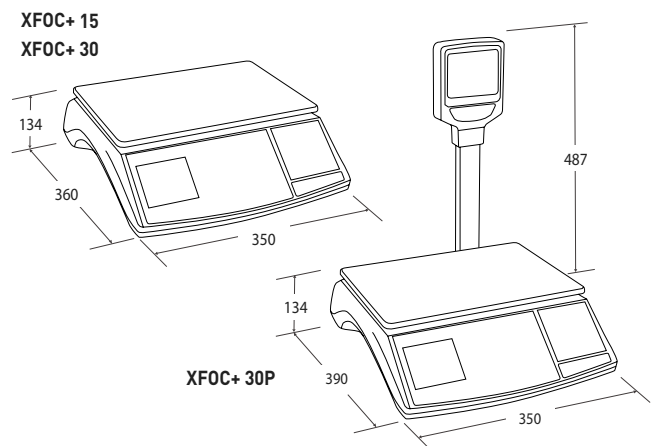


Customizable PLU keyboard

Its PLU keyboard with transparent foil allows you to personalize it with the names or pictures of your products.

Model	XFOC+ 15RS	XFOC+ 30RS	XFOC+ 15RS PLU	XFOC+ 30RS PLU	XFOC+ 30P PLU
Reference	71634	71637	71661	71662	71664
Capacity	6/15 lg	15/30 kg	6/15 lg	15/30 kg	
Resolution	2/5 g	5/10 g	2/5 g	5/10 g	
Column			No		Yes
Connectivity			RS232C (USB optional)		No
Communication Scales			No		Yes
Power		3 x 1.5V AA and USB batteries (optional)			3 batteries 1,5V type C
Working temperature		+ -0°C / +40°C			
Weighing units		kg			
Display		Backlit LCD			
Material		ABS			
Dim. of weighing plate (mm)		230 x 330			
Product dim. (mm)		350 x 360 x 134			350x390x487
Product net weight (kg)		4,4			4,8
Packaging dim. (mm)		460 x 170 x 435			465x430x195
Total weight with packaging (kg)		5,9			6,3

External dimensions (mm)



Ref.	Accessories
60913	USB cable (ZFOC)
32265	RS-232 cable to PC