

# GRAM TCamel Inox



## The stainless steel pallet truck scale

- Manufactured from AISI 304 stainless steel for humid/wet environments.
- Load cells manufactured from stainless steel.
- Equipped with high quality nylon wheels for improved resistance to wear and tear from intensive use.
- Available (TCamel Inox HR-2T) with dual-range capacity 600kg/2000kg with dual readability/resolution: 200g/500g.
- K3 indicator housed inside a stainless steel frame.



### ► Features:

- 100 item memory with alphanumeric codes.
- Classification or verification by weight with a display that uses 3 bright colours.
- Piece-counting function that remembers the weight of 100 individual items.
- Can display total accumulated weight for multiple items.
- 20 tare memories.
  - Automatic, normal, or fixed tare weight.



► **Ideal for wet environments**

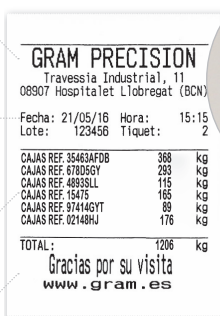
Thanks to the fact that it's made of AISI 304 stainless steel, with stainless steel cells, it's guaranteed to be highly resistant to rust in wet environments.

3 lines of customizable header.

Date, time, lot number, and ticket number.

Product code, cumulative weight, etc.

2 lines of customizable footer.



► **Integrated Printer (optional)**

Ticket printer with number of items weighed, cumulative weight, date, and time of each load (optional), product code, lot no., ticket no., and page header and footer.

Model	TCamel Inox 2T	TCamel Inox HR-2T
Reference	61052	
Capacity	2000kg	600/2000kg
Resolution	1000g	200/500g
Units of weight	g(kg), lb, oz	
Item count quantities	10, 25, 50, 100	
Readout material	ABS	
Display	backlit LCD	
Figures	6 digits	
Height of digits (mm)	25	
Connectivity	RS 232-C, 3-relay output (opt.), wifi (opt.)	
Waterproof protection	IP-65	
Power	230 V / 50 Hz (Euro) 11 V AC	
Battery duration	30 / 60 horas	
Working temperatures	+5°C / +35°C	
Structural material	AISI 304 Stainless Steel	
Wheel material	Nylon	
Cells	B8D Rebel	
Fork dimensions (mm)	1290 x 560	
External dimensions (mm)	1560 x 560 x 1220	
Total net weight (kg)	115	
Packaging dimensions (mm)	1550 x 580 x 445	
Total weight with packaging (kg)	123	
MSRP (€)	---,--	

► **Wireless Remote Display (optional)**

The Gram RD3W wireless remote display can be set anywhere up to 50 meters away, allowing you to see the weight from a distance thanks to its large 80mm-tall digits.



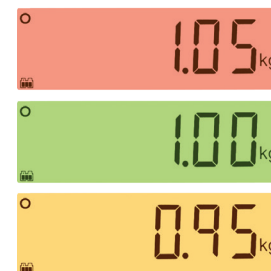
► **Wireless Printer (optional)**

With the Gram PR3 wireless printer, you can place the printer up to 50 meters from your pallet truck and print all your weights effortlessly.



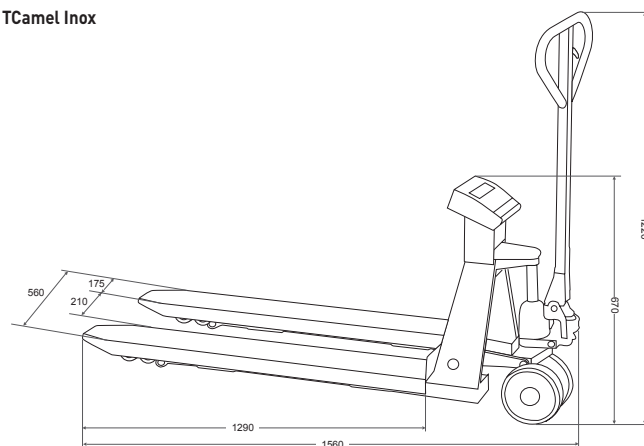
► **Weight Verification**

The multicolour display allows the user to verify the weight or classify products by weight with ease by using the colour-coded readout. The green readout can be configured for the median weight (OK), red for HI, and yellow for LO.



**Exterior Dimensions (mm)**

TCamel Inox



Ref.	Accessories	MSRP (€)
36722	Integrated printer	---,--
6535	PR3W wireless printer	---,--
6536	RD3W wireless remote display	---,--
K3P100001	Date and time option	---,--
32330	3-relay output	---,--
61136	Individual packaging	---,--