

GRAM K3-F



DESIGNED
IN EUROPE



Modular and adaptable

- **Multi-purpose:** multi-position weight indicator.
- **Safety:** Lockable keyboard to avoid modifying functions .
- **Flash memory:** Last weighing displayed.
- **GLP-GMP:** With date, time and ticket number (optional).
- **Wireless:** Compatible with printers and wireless remote display.
- **USB Direct:** Sends data to PC applications without additional software.



▶ Adaptable

Five sizes of low-profile weighing platform.



► **Quadruple position of the display**

Its K3 indicator can be attached to either side, with or without column, with desk support, adapting to the space available.



► **Protected**

Designed for hard intensive use and protected against liquid agents and dust. The entire surface is smooth with gentle edges for an easy cleaning.

► **Assured mobility and usability**

With your working table, with or without wheels, or wheels directly onto the platform, it will reach the height wanted and moved where you need.



► **Result printing**

Connection with our printers (optional), with cable or wireless. With our PR6, it cuts the paper automatically. It prints three start lines and one end line of the ticket, including our Z3 THS software to enter data from the PC. It connects with our remote display, through cable or wireless.

► **USB Direct, what you always wanted**

With our direct cable between the F-Series weighing machine and your PC or MAC, weighing data will be shown on any open application or document. Without intermediate software, without installation, simple and effective.

► K3 Indicator

Option for indicators K3i, K3i Printer, SC2, K2, K2N, K2E, K2P and K4i.



► Column Kit

Three column lengths with support in painted steel or stainless steel.



► Feet or wheels

Four wheels, two of them with brake; to replace the rubber feet, allow the platform to be easily moved.



► Indicator and flat support

It fixes the indicator horizontally, for use on a working table.



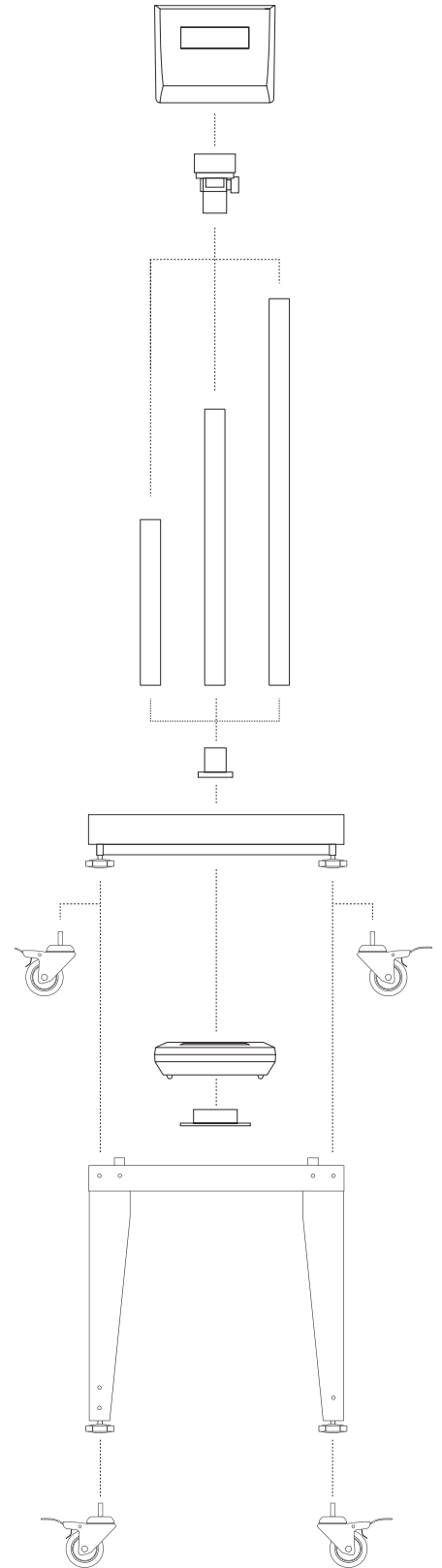
► Working tables

Highly resistant working table with adjustable height, with frame-shaped base; easy cleaning, with adjustable non-slipping feet.



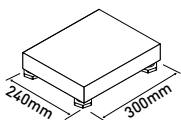
► Feet or wheels

Four wheels, two of them with brake; to replace the table rubber feet. Allow it to be moved easily and safely.

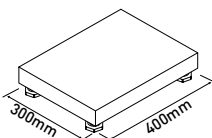


External dimensions (mm)

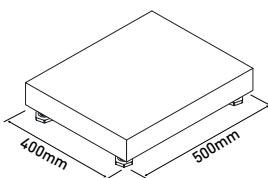
K3 F0-6
K3 F0-15
K3 F0-30



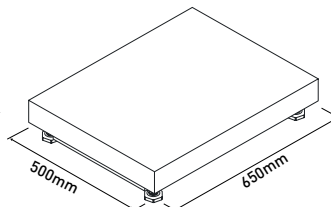
K3 F1-15
K3 F1-30
K3 F1-60
K3 F1-150



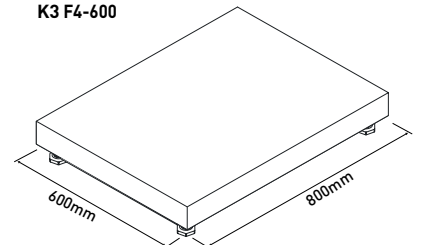
K3 F2-30
K3 F2-60
K3 F2-150



K3 F3-150
K3 F3-300



K3 F4-150
K3 F4-300
K3 F4-600



Model	K3-F0-6	K3-F0-15	K3-F0-30	K3-F1-15	K3-F1-30	K3-F1-60	K3-F1-150	K3-F2-30	K3-F2-60	K3-F2-150	K3-F3-150	K3-F3-300	K3-F4-150	K3-F4-300	K3-F4-600
Reference	70229	70230	70231	70232	70233	70234	70235	70236	70237	70238	70239	70240	70241	70242	70243
Capacity	6 kg	15 kg	30 kg	15 kg	30 kg	60 kg	150 kg	30 kg	60 kg	150 kg	150 kg	300 kg	150 kg	300 kg	600 kg
Resolution	1 g	2 g	5 g	2 g	5 g	10 g	20 g	5 g	10 g	20 g	20 g	50 g	20 g	50 g	100 g
Weight units	g, kg, lb, oz														
Display	Backlit LCD														
Acoustic warn	Yes														
Connectivity	RS 232-C, Wireless (optional)														
Speed Transmission	1200, 2400, 4800, 9600, 19200, 38400, 57600, 115200 Baud														
Bits number and y equality	8 Bits, without parity, 1 bit stop														
Supply	230 V / 50 Hz (Euro) 11 V AC														
Battery	6V-5AH; Operating time 25/60 hours depending on use														
Work Temperature	+5°C / +35°C														
External dim platform (mm)	300 x 240 x 102			400 x 300 x 102			500 x 400 x 122			650 x 500 x 145			800 x 600 x 145		
External dim pos. 1 (mm)	500 x 240 x 102			600 x 300 x 102			700 x 400 x 122			850 x 500 x 145			1000 x 600 x 145		
External dim pos. 2 (mm)	300 x 440 x 102			400 x 500 x 102			500 x 600 x 122			650 x 700 x 145			800 x 800 x 145		
Height with column S (mm)	463														
Height with column M (mm)	663														
Height with column L (mm)	863														
Platform net weight (kg)	4,2			5,5			10,3			20,5			31,5		
Packaging dimensions (mm)	390 x 330 x 130			490 x 390 x 130			590 x 490 x 150			760 x 610 x 180			910 x 710 x 180		
Total weight with packaging (kg)	5,1			6,6			11,3			21,8			32		
MSRP (€)	---			---			---			---			---		

Ref.	Accessories	MSRP (€)
70322	Support table (F1 model)	---
70323	Support table (F2 model)	---
70324	Support table (F3 model)	---
60968	Wheels set for platform	---
70322	RF-2 Stainless steel sack weighing support (F2 model)	---
70323	RF-3 Stainless steel sack weighing support (F3 model)	---
32332	Tare pedal	---
5263	RD3 (RS-232) Repeater Indicator	---
6950	RD3W (Wireless) Repeater Indicator	---
70034	PR4 Printer with cable (RS-232)	---
70035	PR4W Wireless printer	---
70036	PR6 Printer with cable (RS-232)	---
70037	PR6W Wireless printer	---
4877	Virtual Key Software for PC	---
32278	Stainless steel wall support (K3, K3i, K3i Printer)	---
61084	USB Direct cable K	---
33205	RS-232 to RD3 or PC, 1,5 m cable K	---
3738	RS-232 to RD3 or PC, 4 m cable K	---
32294	RS-232 to Printer cable K	---

Ref.	Opciones	MSRP (€)
---	Without K3 indicator (spare platform)	---
6171	Indicator K3i	---
60960	Indicator K3i Printer	---
5305	Indicator SC2	---
60018	Indicator K2	M ---
60020	Indicator K2E	M ---
60019	Indicator K2N	M ---
60022	Indicator K2P	M ---
60136	Indicator K4i	M ---
8012	EC-type certificate up to 30 kg (*)	M ---
8014	EC-type certificate from 31 kg to 150 kg (*)	M ---
8015	EC-type certificate from 151 kg to 300 kg (*)	M ---
8016	EC-type certificate from 301 kg to 600 kg (*)	M ---
8023	ISOCAL certificate from 0,01 g to 30 kg	---
8024	ISOCAL certificate from 31 kg to 300 kg	---
8025	ISOCAL certificate from 301 kg to 600 kg	---
32330	3 Relays output	---
32277	RS-232 second output	---
3776	Wireless K Connection	---

Ref.	Kit colonnes et supports	MSRP (€)
70306	RPS Stainless steel column with ABS support (F0, F1, F2, F3, F4)	---
70307	RPM Stainless steel column with ABS support (F1, F2, F3, F4)	---
70308	RPL Stainless steel column with ABS support (F2, F3, F4)	---
70438	Bench-type support for K3 indicator	---

More information

Product Data:



Columns shape
R: round

Material of column support
P: painted steel

Columns height
S: 300mm
M: 500mm
L: 700mm

<http://gram-group.com/product/gram-k3-f/>